

ASS-001-955/ASS-002-008 ASS-002-009/ASS-002-160



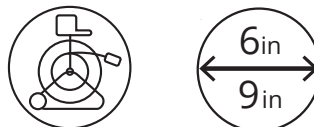
Roller Skids

Use Minicam Roller Skids to increase the effectiveness and lifespan of your pipeline inspection system. Manufactured from high quality materials. No tools or manual adjustments are required, simply fit the skid and the three pivoting arms with specially shaped nylon wheels adjust to fit the required pipe diameter keeping the camera head centered in the pipeline at all times.

The roller skids expand the system for use in 15cm to 22.5cm (6"-9") pipelines, this enables you to use your push camera inspection system in pipelines that would otherwise require a crawler system. The roller skids allow inspection cameras to negotiate multiple corners and bends and increase the depth range significantly.

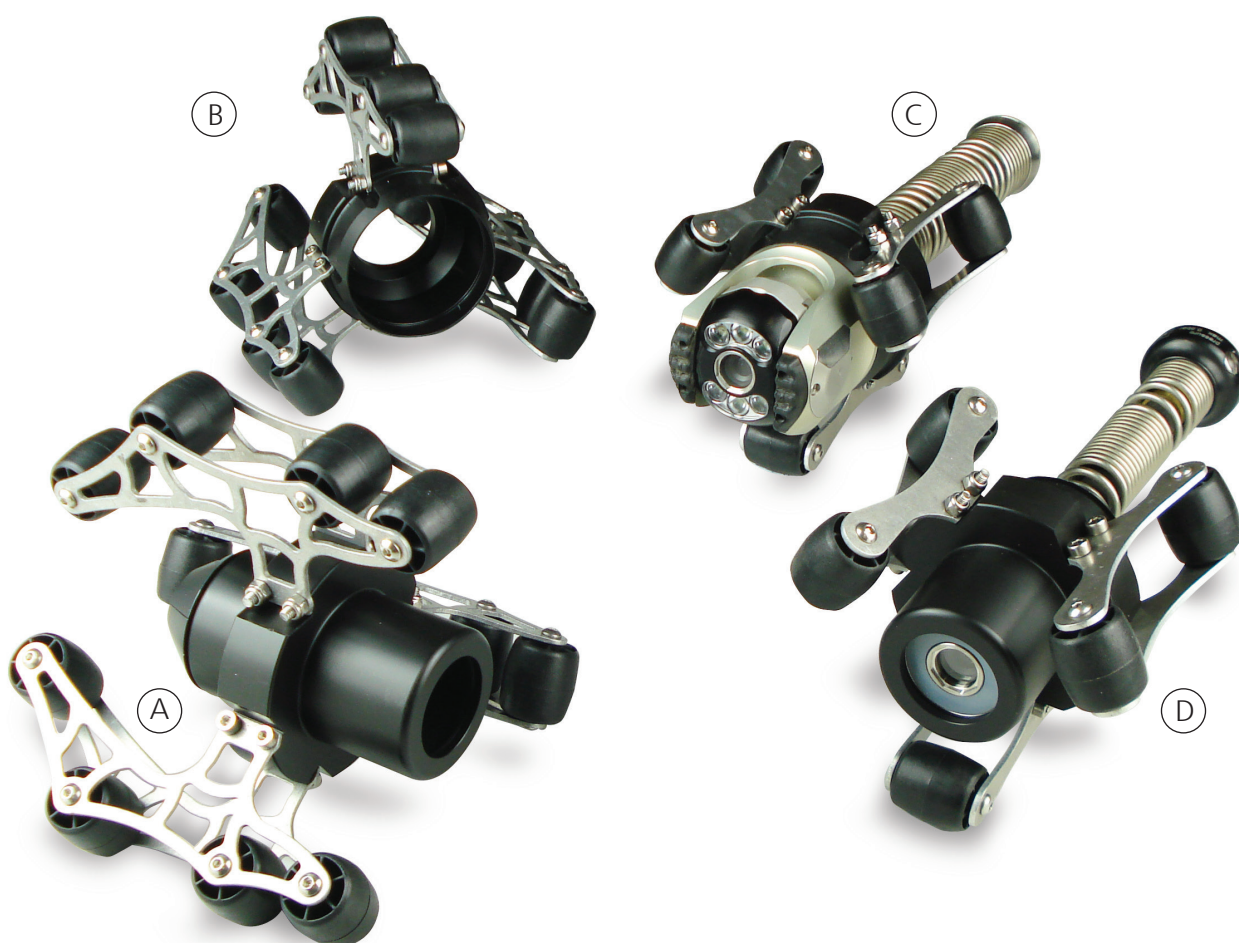
Available in 2 sizes to fit Self Levelling Axial Camera (CAM025) and the Pan & Rotate Camera (CAM026). Manufactured from stainless steel and ABS plastic the device is sturdy, rugged and corrosion resistant to withstand the punishment of daily field work.

Compatibility

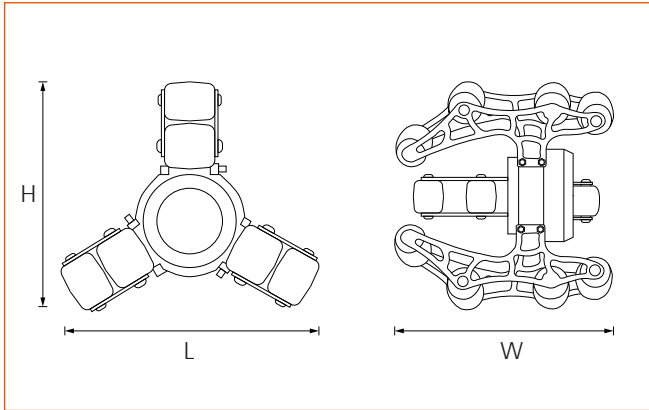


Technical Data

A	ASS-002-009	180mm Roller Skid for CAM025
B	ASS-001-955	180mm Roller Skid for CAM026
C	ASS-002-160	130mm Roller Skid for CAM026
D	ASS-002-008	130mm Roller Skid for CAM025

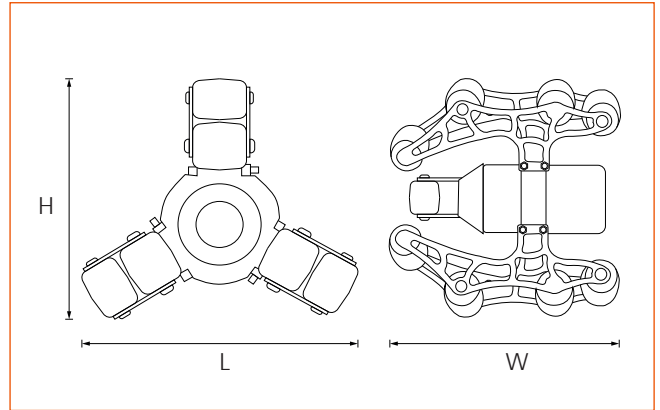


Roller Skids



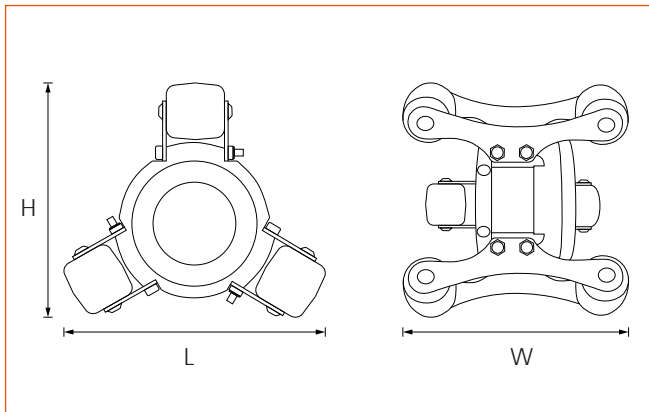
ASS-001-955

Dimensions - L x W x H
160mm x 155mm x 140mm



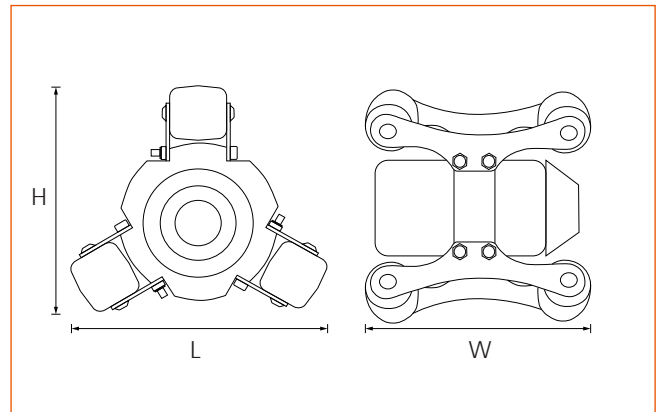
ASS-002-009

Dimensions - L x W x H
150mm x 155mm x 140mm



ASS-002-160

Dimensions - L x W x H
120mm x 110mm x 105mm



ASS-002-008

Dimensions - L x W x H
115mm x 110mm x 105mm

